

# STAR TILE 11VR

## LED SERIES

### LED VANDAL RESISTANT LUMINAIRE

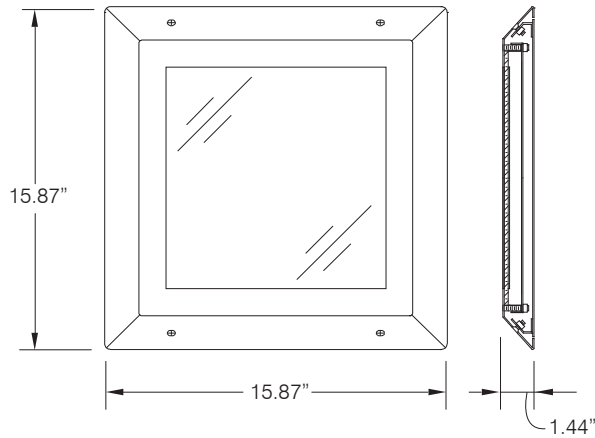
#### LED

15-7/8" x 15-7/8" x 1-7/16"



PROJECT:
TYPE:
PRODUCT NUMBER:
APPROVED BY:
DATE:

#### DIMENSIONAL DATA



#### DESCRIPTION

This state-of-the-art LED light tile offers an innovative solution in replacing a standard bulky fluorescent fixture with a low profile 16gauge CRS frame with beveled edges to deflect the force of an impact for all your vandal resistant applications. This patent pending low profile vandal resistant fixture with over .425" of polycarbonate lens is the perfect solution for psychiatric ward, high school, locker room, etc. applications. The VR StarTile can be used alone for general illumination. It is also perfect for displaying school logos, company slogans, safety instructions, or just about anything a customer may want displayed on a custom graphic because of the wide viewing angle. New Star also offers a variety of stock lenses which afford a peaceful and tranquil display for viewing pleasure. Since it uses LED technology, there is no mercury or lead to potentially leak into an environment.

#### APPLICATION

- Hotels
- Hospitals
- Factories
- Psychiatric Wards
- Locker Rooms
- Schools
- Universities
- Gymnasiums
- Parks
- Parking Garages

#### SPECIFICATION FEATURES

##### HOUSING:

Extruded aluminum frame encased in a 16 gauge CRS frame with beveled edges to deflect the force of an impact.

##### LENS:

A Total of .425" Polycarbonate lens secured by "Z" retainers with stud welds.

##### POWER SUPPLY:

LED Driver Included (remote).  
 Input Power : AC120V and 277V  
 Output Power: Low Voltage DC  
 Power Consumption: 17W

##### LED:

Available in two White color temperatures. (3000° K and 6000° K).

##### MOUNTING BRACKET:.

Encased frame allows for quick and easy surface mounting to any ceiling or wall.

LABEL: **PATENT PENDING**



#### Notes:

Specifications and Dimensions are subject to change without notice. For additional options and dimensional details please consult your New Star Lighting Representative. Patent Pending.



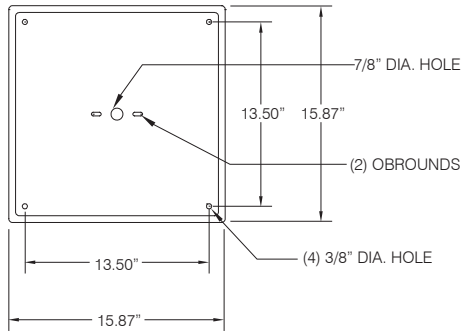
www.newstarlighting.com

### MOUNTING DIMENSIONS



**STARTILE 11VR**  
LED SERIES  
LED VANDAL RESISTANT LUMINAIRE

LED  
15-7/8" x 15-7/8" x 1-7/16"



### ORDERING INFORMATION

STARTILE 11VR VR LIGHT TILE SURFACE LUMINAIRE  
LED SERIES

