

BORT - LED

LED SERIES

VR ARCHITECTURAL LUMINAIRE

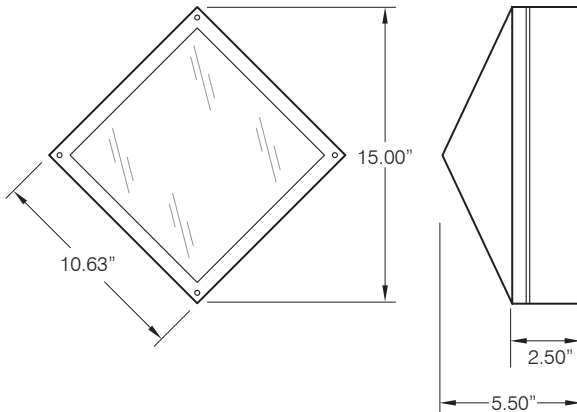
LED

15" x 15" x 5-1/2"



PROJECT:
TYPE:
PRODUCT NUMBER:
APPROVED BY:
DATE:

DIMENSIONAL DATA



DESCRIPTION

This architectural fixture offers a LED solution for upscale, smart illumination without compromising strength. When the aesthetics, design and energy savings is as important its durability, this vandal resistant fixture is the answer. The housing and face plate are both die-cast aluminum and provides exceptional durability and stability in the harshest of environments. We are pleased to offer a solution for higher end applications with our architectural luminaires. This fixture is IP65 rated, dust proof, splash proof and rugged enough for any demanding situation. This is ideal for any installation requiring a design oriented luminaire while delivering protection from the extremes of Mother Nature or defacement from vandalism.

APPLICATION

- Public Areas
- Corridors
- Walls
- Stairways
- Schools
- Colleges

SPECIFICATION FEATURES

HOUSING:

Die cast, one piece in low copper, high magnesium marine application aluminum alloy.

LENS:

UV stabilized white opal polycarbonate.

LED:

19.2W on 4 LED modules. Available in two color temperatures. (3000° K & 5000° K)

REFLECTOR:

Aluminum reflector to serve as heat sink and unitized with electrical components.

GASKET:

One piece silicone rubber gaskets for a complete air tight seal..

FASTENERS:

Allen head screws (without center pin) - standard.

FINISH:

Powder coat finish in Black or White.

LABEL:   



Notes:

Specifications and Dimensions are subject to change without notice. For additional options and dimensional details please consult your New Star Lighting Representative. For specific electronic ballast, specify brand and catalog number. The New Star Promise will repair or replace any VR architectural fixture when installed according to New Star's instructions for the life of the original installation if the fixture should fail due to physical abuse.



BORT - LED

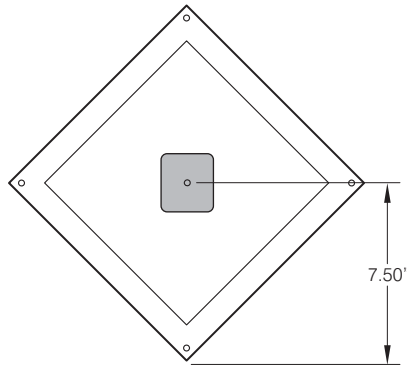
LED SERIES

VR ARCHITECTURAL LUMINAIRE

LED

15" x 15" x 5-1/2"

MOUNTING DIMENSIONS



ORDERING INFORMATION

BORT - LED VR ARCHITECTURAL LUMINAIRE LED SERIES

Product Family	Lamp Type	LED Color	Voltage	Finish	Options
NWBRT	L				
NWBRT 15" x 15" x 5-1/2"	L = Light Emitting Diode	30 = White 3000° K 50 = White 5000° K	12 = 120V 27 = 277V	BK = Black WH = White	EML = Ballast: Emergency LED (must be remote) PC* = Photocell AH = Allen Head Screws (with center pin) TH = Torx Head Screws (with center pin) *Cannot use with UN voltage option

Notes:

Specifications and Dimensions are subject to change without notice. For additional options and dimensional details please consult your New Star Lighting Representative. For specific electronic ballast, specify brand and catalog number. The New Star Promise will repair or replace any VR architectural fixture when installed according to New Star's instructions for the life of the original installation if the fixture should fail due to physical abuse.